



NJ 220 ECJ

- Popular item
- SKF Explorer

Cylindrical roller bearings, single row

Bearing data

Tolerances,

Normal (metric), P6, Normal (inch),

Radial internal clearance,

cylindrical bore, tapered bore,

Axial internal clearance,

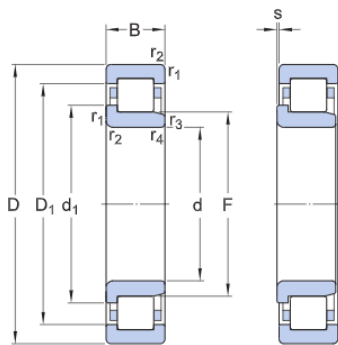
NUP, NJ + HJ

Bearing interfaces

Seat tolerances for standard conditions,

Tolerances and resultant fit

Technical specification

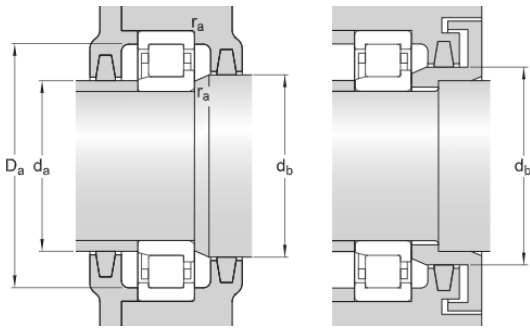


DIMENSIONS

d	100 mm	Bore diameter
D	180 mm	Outside diameter
B	34 mm	Width
d1	≈127 mm	Shoulder diameter of inner ring
D1	≈155.55 mm	Shoulder diameter of outer ring
F	119 mm	Chamfer dimension of loose flange ring
r _{1,2}	min.2.1 mm	Chamfer dimension
r _{3,4}	min.2.1 mm	Chamfer dimension
s	max.1.7 mm	Permissible axial displacement

ABUTMENT DIMENSIONS

da	min.113 mm	Diameter of spacer sleeve
da	max.116 mm	Diameter of spacer sleeve
db	min.130 mm	Diameter of shaft abutment
	max.167.5 mm	Diameter of



D_a	mm	housing abutment
r_a	max.2 mm	Radius of fillet

CALCULATION DATA

Basic dynamic load rating	C	285 kN
Basic static load rating	C_0	305 kN
Fatigue load limit	P_u	36.5 kN
Reference speed		4 000 r/min
Limiting speed		4 500 r/min
Minimum load factor	k_r	0.15
Limiting value	e	0.2
Axial load factor	Y	0.6

MASS

Mass	3.55 kg
------	---------

ASSOCIATED PRODUCTS

Angle ring	HJ 220 EC
------------	-----------